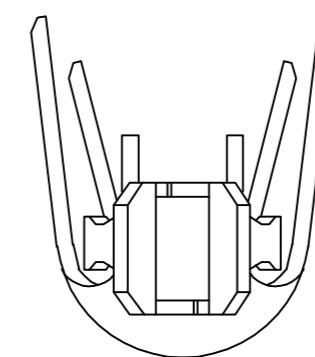
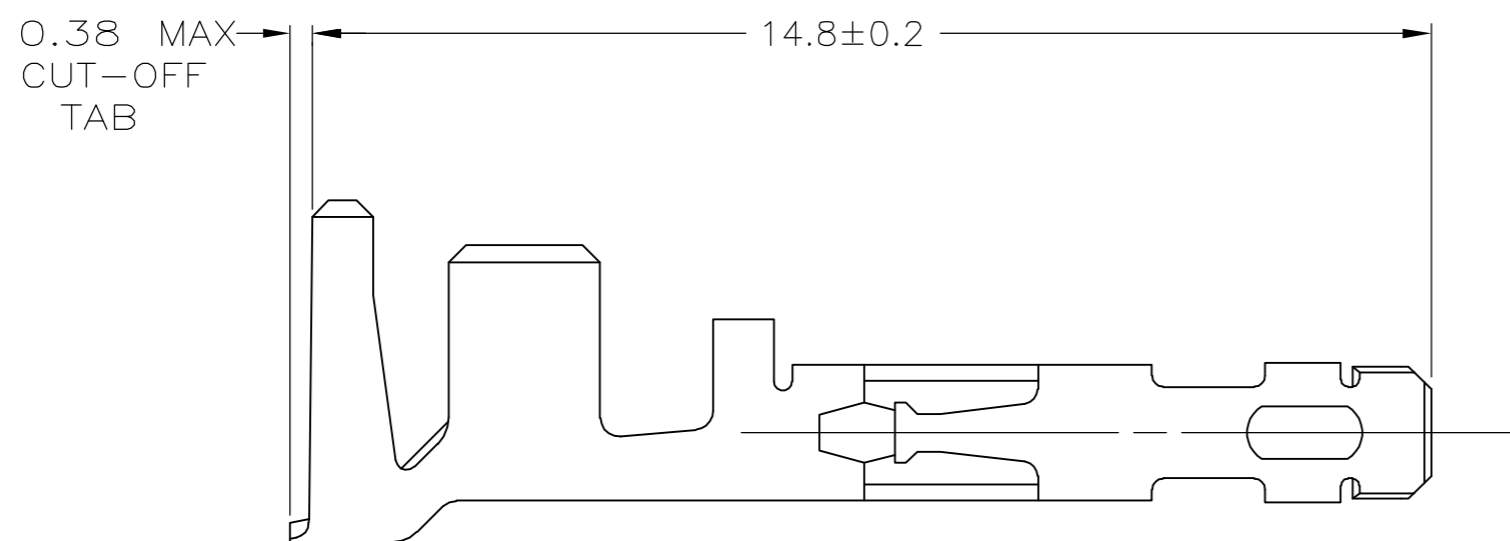
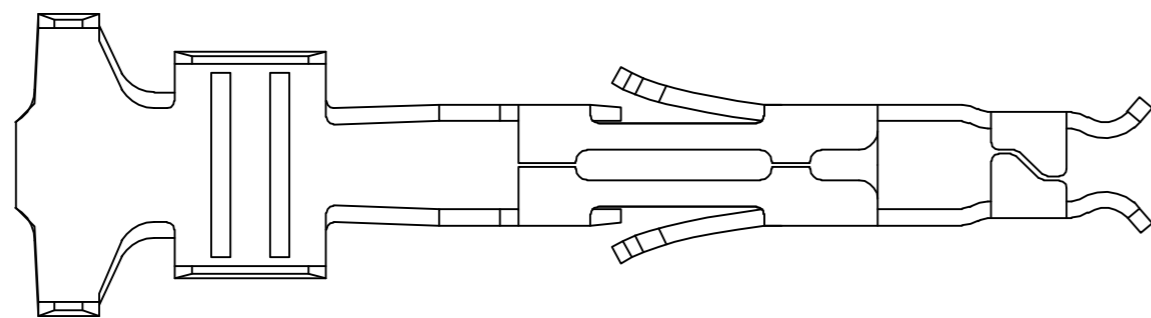


THIS DRAWING IS UNPUBLISHED. RELEASED FOR PUBLICATION
 © COPYRIGHT BY TYCO ELECTRONICS CORPORATION. ALL RIGHTS RESERVED.

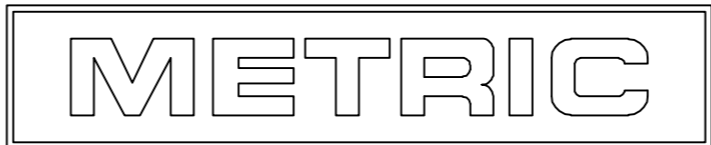
LOC	DIST	REVISIONS			
P	LTR	DESCRIPTION	DATE	DWN	APVD
CM	00	B	REVISED PER ECO-07-007565	04APR07	KW CC

- △ HAND APPLICATION TOOL: 90714-1.
- 2. CONTACT EXTRACTION TOOL: 188688-1.
- 3. WIRE RANGE: (2)0.8-0.9mm² (2X18 AWG) OR (1)1.2mm² (1X16 AWG).
- 4. INSULATION RANGE: 3.3 DIA. MAX FOR 2X18 AWG AND 3.0 DIA. MAX FOR 1X16 AWG.



794418-1	PRE-TIN	0.22 PH BRZ	794421-1
STRIP (REF)			

THIS DRAWING IS A CONTROLLED DOCUMENT.		DWN R. VESTAL 9-02-97	Tyco Electronics Corporation Harrisburg, PA 17105-3608	
DIMENSIONS: mm		CHK R. SWING 9-02-97		
TOLERANCES UNLESS OTHERWISE SPECIFIED:		APVD C. CASH 9-02-97	NAME CONTACT, SOCKET, AMP-DUAC(TM) LOOSE PIECE	
0 PLC ± - 1 PLC ± - 2 PLC ± 0.10 3 PLC ± - 4 PLC ± - ANGLES ± 0° 30'		PRODUCT SPEC 108-1646	SIZE A2	CAGE CODE 00779
MATERIAL SEE TABLE		APPLICATION SPEC 114-6067/1	DRAWING NO C=794421	RESTRICTED TO -
FINISH SEE TABLE		WEIGHT -	SCALE 10:1	SHEET 1 of 1
CUSTOMER DRAWING			REV B	



794421-1